



Instruction Sheet

Mini Crash Pit 151510

Store these instructions along with the enclosed maintenance checklist in a safe place. You may also access them on our website.



Take time to familiarize yourself with the use and maintenance of this equipment before using. Please file this Instruction Sheet in an accessible location: the Instruction Sheet must be read and familiar to anyone who is using Southpaw Enterprises Equipment.

IMPORTANT: Please check equipment immediately for any damage that may have resulted during shipping. If any damage has occurred, please contact Southpaw Enterprises, Inc.

MATERIALS LIST:

- 4 - Crash Pit Walls
- 1 - Floor
- 1 - Instruction Sheet
- 1 - Maintenance Checklist

ASSEMBLY:

Note: All four walls are the same. There is a separate vinyl floor for the crash pit which is designed to help contain the balls. Set this floor aside for now until the walls are connected

- Position the four walls as shown in figure 1 with the black edge on the floor.
- Join all four corners by aligning the edges, pressing the hook and loop fasteners together, and pulling the long side-flap tight against the end of the adjoining wall, as shown in figure 2.
- Attach the flap with the loop fastener on the top of each wall to the side of each adjoining wall by wrapping them over the top and down the side (see figure 3).
- Turn the walls over so the top flap is facing down. Connect the vinyl floor to the exposed loop material that is now facing up. Make sure the pit is square. Then, turn the crash pit over and position it in the designated spot.
- Fill with balls, or with a Southpaw Cloud Nine pillow.

MAINTENANCE CHECKLIST:

All of the following wear points should be checked on a monthly basis and recorded on the checklist enclosed.

- Check for torn vinyl and loose or ripped stitches. If tears or loose stitches are found, discontinue use until repaired.

STORAGE PROCEDURES

- Store where not accessible by clients without proper supervision.

ON REVERSE SIDE

Cleaning Instructions

- Safety Precautions
- Contact Information

CLEANING INSTRUCTIONS

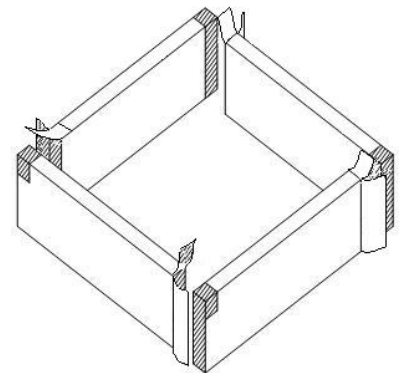


Figure 1

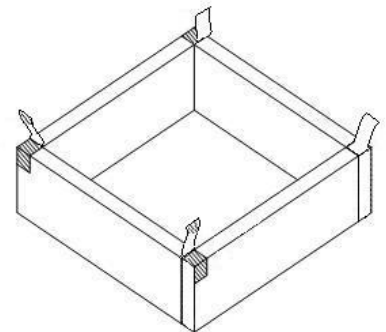


Figure 2

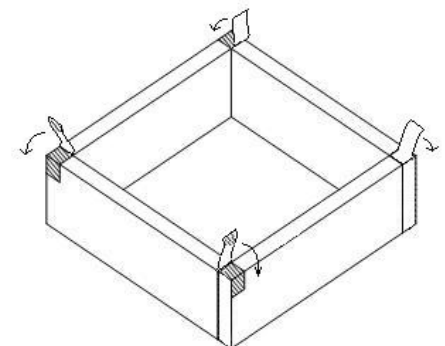


Figure 3

- Check for client allergies first.
- Check with your infectious disease department before using these procedures.
- Clean with a damp cloth using mild soap and water or disinfectant.
- Dry before using.

Note: The Southpaw Giant Cloud Nine (# 1459) will fit inside the Crash Pit (#151500).
The Southpaw Cloud Nine (#1455) will fit inside the Mini Crash Pit (#151510).

Safety Precautions - The safety of your clients is dependent on the appropriate choice of activity to match, yet challenge their physical abilities. Use appropriate spotting / safety techniques. In addition, the layout of your activity area, proper installation and maintenance of your equipment is critical. Southpaw equipment is not intended for recreational or outdoor use. Under no condition should this equipment be used without proper supervision.

This sheet is for example only. It is not meant to, in any way, replace local, county, state, or Federal standards. Be aware - it is your responsibility to find all pertinent safety information that pertains to your facility.

If you have any questions or comments, please call or write

Southpaw Enterprises, Inc.

P.O. Box 1047, Dayton, Ohio 45401-1047

Toll Free - (800) 228-1698

Please visit us at southpaw.com

© 2021 Southpaw Enterprises, Inc.