

Instructions

Important Safety Instructions and Warnings

When using your projection equipment always observe the following safety precautions:

1. Read and understand all instructions before using the equipment.
2. This equipment is for indoor use in moderate climates only. Never use the equipment in damp or wet conditions. Avoid excessive heat, humidity, dust & vibration.
3. To reduce risk of electric shock, do not use where the projector may be subjected to dripping or splashing liquids. Never immerse products in any liquids.
4. Connect only to a power supply with a voltage corresponding to that printed on the projector.
5. This projector must always be connected to a grounded (earthed) electricity supply.
6. Always use the mains lead supplied suitable for your country.
7. Do not operate appliance with a damaged cord, or if the appliance has been dropped, or damaged, until it has been examined by a qualified service person.
8. If an extension cord is necessary, a cord with a current rating at least equal to that of the appliance must be used. Cords rated for less amperage than the appliance may overheat.
9. To avoid the possibility inadvertent resetting of the thermal cutout, this appliance must not be supplied via an external switching device, such as a timer, or connected to a circuit that is regularly switched on and off
10. Ensure all cables are routed safely to avoid tripping or pulling: also avoid sharp bends, pinches and contact with hot surfaces.
11. The appliance power switch has the symbols 'O' indicating 'OFF' and 'I' indicating 'ON'.
12. Do not obstruct any ventilation openings. To avoid thermal 'cut out' or heat damage make sure all air inlets and outlets are clear of obstruction before and during use.
13. Children over 8 years old and persons with reduced physical, sensory or mental capabilities or lack of experience and knowledge can use the appliance if under close supervision or given instructions how to use the appliance safely and they understand the hazards involved. Do not leave unattended or allow children to play with the appliance or allow them to clean or carry out any maintenance work.
14. The use of an accessory attachment not recommended by the manufacturer may cause a risk of fire, electric shock, or injury.
15. **DO NOT USE THE PROJECTOR AT AN ANGLE OF MORE THAN 90° FROM HORIZONTAL** as this may cause an effect or effect accessory to separate from the projector, fall and break which may also cause injury.
16. During focusing beware of rotating the projection lens too far out, as this can cause the lens to separate from the projector, and may drop and break which could cause injury.
17. Always disconnect appliance from electrical outlet when not in use or moving. Never yank cord to pull plug from outlet. Grasp plug and pull gently to disconnect.
18. To reduce the risk of electric shock - do not dismantle this appliance. Take it to a qualified repairer when servicing is required.
19. Always unplug appliance from electrical outlet and allow to cool before any cleaning and/or servicing.
20. After any maintenance or cleaning all parts must be absolutely dry before refitting.
21. All procedures, described in the maintenance section, must be carried out by qualified service personnel under the authority of the manufacturers recognised agent.



SAVE THESE INSTRUCTIONS

OPERATING INSTRUCTIONS (220-240V~ Model)

PACKED BOX CONTENTS

OPTI Solar Sensory LED Projector with 85mm Lens fitted. 2 metre IEC Lead.

Carefully unpack and keep packaging for the return of equipment for servicing. Ensure all items specified are in the box. If not, contact your sales outlet or us at the address on this document. If the equipment appears damaged in any way, return it to sales outlet in its original packaging. No responsibility for damage arising from the use of non-approved packaging will be accepted.

POWER RATING 62W MAX

OPERATING VOLTAGE 220-240V~ 50-60Hz

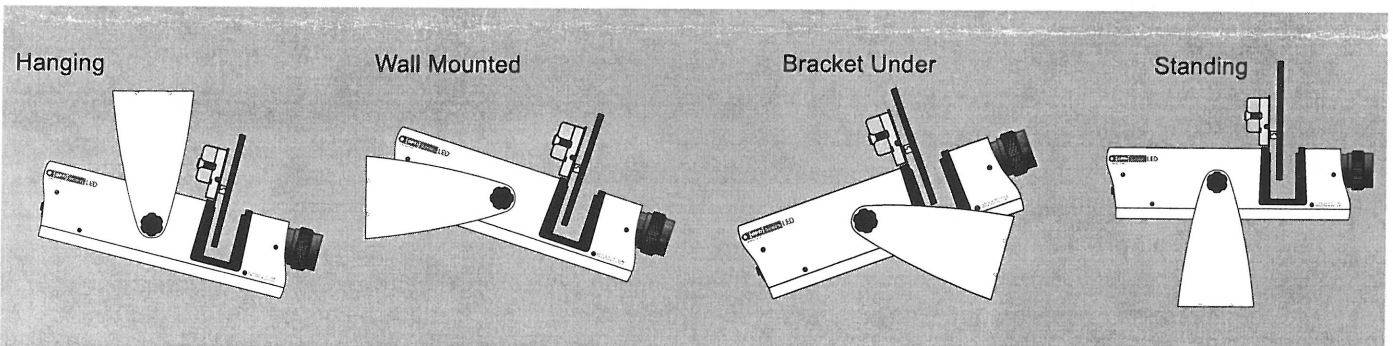
FUSE

Mains: T1AH/250V ceramic (20mm x 5mmØ)

Before replacing a fuse, DISCONNECT PROJECTOR FROM THE MAINS SUPPLY.

MOUNTING THE PROJECTOR

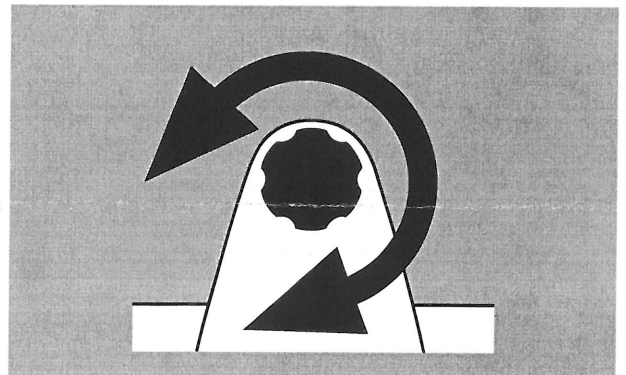
Ensure that the projector is secured to a surface or structure, able to bear the weight of the projector and accessories, via the bracket fitted using suitable central bolt (minimum: 14mm M10 x 20mm), washers and attachments. For added strength in a fixed position on a flat surface, use the bracket as a marking template for drilling fastening holes. Use a minimum of 2 fasteners such as 2 x 40mm No 10 wood screws. There are four options:



ADJUSTING THE BRACKET

Adjust the angle and position of the effects projector using the knobs, which connect the bracket to the unit.

1. Loosen the two knobs.
2. Rotate the bracket or the projector.
3. Tighten the knobs.



[OPTI]TM Solar Sensory LED

OPERATION

This Effects Projector is designed exclusively for use with the OPTI Solar Range of Effects Accessories and OPTI Effects. Ask your dealer for a demonstration and always follow instructions.

Installation of the Active Gate Wheel Rotator and Effects:

1. Select the Effect and appropriate Active Gate Wheel Rotator and fit the Effect onto the Active Gate Wheel Rotator.
2. Place the Effect and the Active Gate Wheel Rotator into the gate of the Projector by sliding into the rear gate runners. The main effect should be fitted into the rear gate runners for maximum life and object illumination. Image altering effects like Distortion Wheels can be fitted into the front gate runners.
3. Once in place they should start working instantly as they are powered by the Active Gate.

MAINS CONNECTION

Plug in the IEC lead into the IEC socket on the rear panel. Then turn the Effects Projector on by the main switch and flip the 2 toggle switches to the 'I' position.

FOCUSSING THE IMAGE

Focus the effect by twisting the lens in and out until desired focus is achieved.

CLEANING THE FOCUSSING LENS

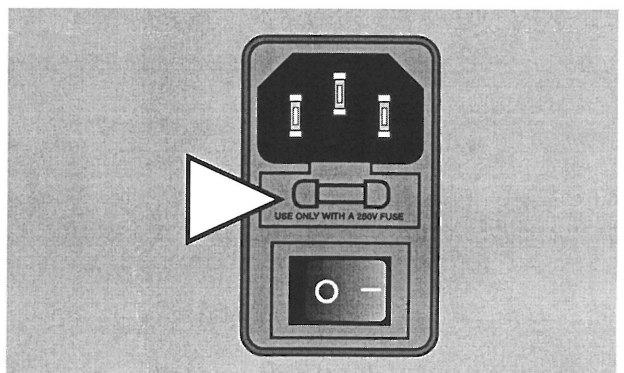
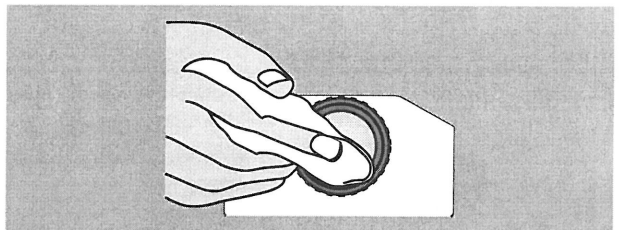
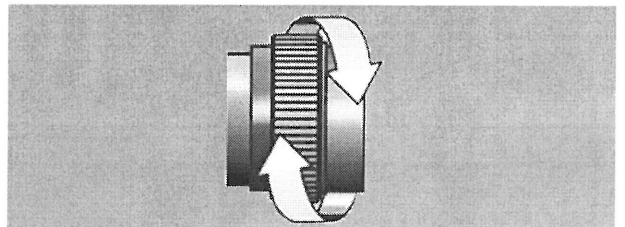
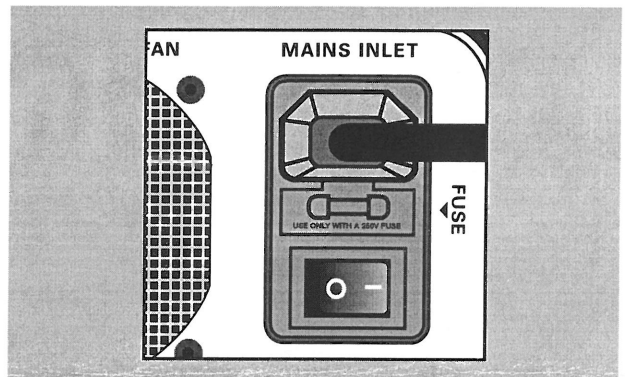
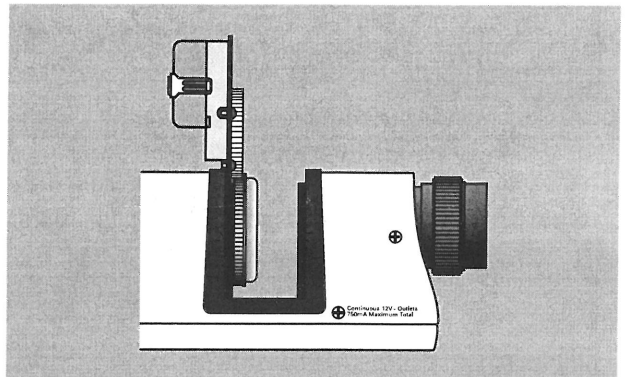
Use a soft tissue or lens cloth with a little methylated spirit or pure alcohol.

CHANGING THE FUSE

Before replacing a fuse, DISCONNECT THE PROJECTOR FROM THE MAINS SUPPLY.

The fuse must only be replaced with a fuse of the type and rating marked on the rear panel. If a fuse fails immediately, contact your local service agent. DO NOT replace with a higher value. The main fuse is fitted into the rear IEC panel. To change:

1. Prise out the fuse holder with a flat ended screwdriver.
2. Remove old fuse and replace with a T1AH/250V Ceramic (20mm x 5mmØ) fuse.
3. Refit the fuse holder and push in until it is flush with the surface of the IEC socket panel.



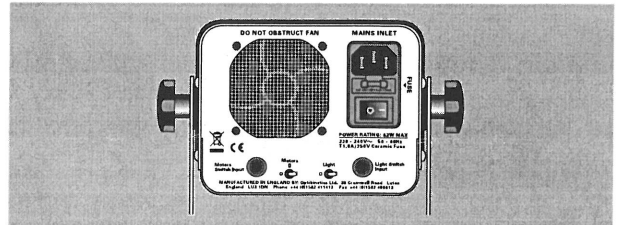
REAR TOGGLE SWITCH OPERATING INSTRUCTIONS

For normal operation turn the projector on by plugging in the IEC lead to the back of the projector and switch the main switch and both the 'Motor' and 'Light' toggle switches to the 'I' or ON position (both flicked to the right).

External Switches

The Sensory LED is compatible with external switches or wireless remotes fitted with 3.5mm mono or stereo jack plugs.

1. If using an external switch, to control the light or motorised accessories plug the 3.5mm jack plug into the appropriate socket on the rear of the projector.
2. Then flick the toggle switch to the function required.



MOTOR TOGGLE SWITCH POSITIONS

O the motor sockets will be powered (ON). Tap or press the external switch for momentary OFF. Press and hold switch to remain OFF for as long as it is held.

I the motor sockets will remain ON or OFF depending what the previous position was. Press the external switch to latch the power supply to motorised accessories OFF or ON as required.

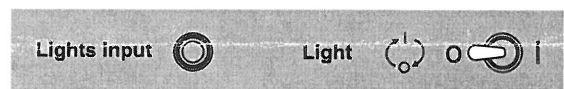
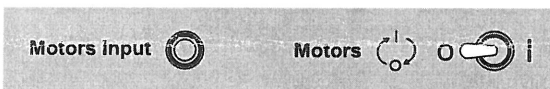
I the motor sockets will be OFF. Tap or press the external switch for momentary ON. Press and hold switch to remain ON for as long as is required.

LIGHT TOGGLE SWITCH POSITIONS

O the light will be powered (ON). Tap or press the external switch for momentary OFF. Press and hold switch to remain OFF for as long as it is held.

I the light will be OFF. Tap or press the external switch to momentarily illuminate (ON). Press and hold switch to remain ON for as long as is required.

I The light will be OFF. Tap or press the external switch to momentarily illuminate (ON). Press and hold switch to remain ON for as long as is required.



TECHNICAL INFORMATION

NAME:	[OPTI] Solar Sensory LED
Overall size:	347mm long (without lens) x 133mm wide x 102mm deep (228mm deep with hanging bracket).
Weight:	3.2kg.
Standard lens:	3 Element 85mm f2.8 42.5mm Helical Focus Groove.
Mains voltage:	220 - 240V~ or 110 - 120V~ 50/60Hz.
Power consumption:	62 Watts maximum.
Mains Fuse:	T1AH/250V ceramic (20mm x 5mmØ)
12VDC output current:	500mA maximum.
External Control inputs:	Require 3.5mm Mono or Stereo Jack Plugs
Light source:	40W LED Module.
LED module life:	Average 100,000+ hours useful life.
Total light output:	850 lumens (on screen)
Colour temperature:	4000° K
Cooling:	Tubeaxial fan.
Operating:	Ambient temperature 10 to 35°C Relative humidity 80%rH max



38 Cromwell Road Luton LU3 1DN England
+44 (0)1582 411413 | ukadmin@optikinetics.co.uk | www.optikinetics.co.uk

