



# Instruction Sheet

## OSCAR'S Playhouse 4400

Store these instructions with the enclosed maintenance checklist in a safe place. You may also access them on our website.



Take time to familiarize yourself with the use and maintenance of this equipment before using. Please file this Instruction Sheet in an accessible location: the Instruction Sheet must be read and familiar to anyone who is using Southpaw Enterprises Equipment.

**IMPORTANT: Please check equipment immediately for any damage that may have resulted during shipping. If any damage has occurred, please contact Southpaw Enterprises, Inc. immediately.**

### MATERIALS LIST

- 1 - Playhouse
- 1 - Instruction Sheet
- 1 - Maintenance checklist

### SETUP INSTRUCTIONS

#### WALLS

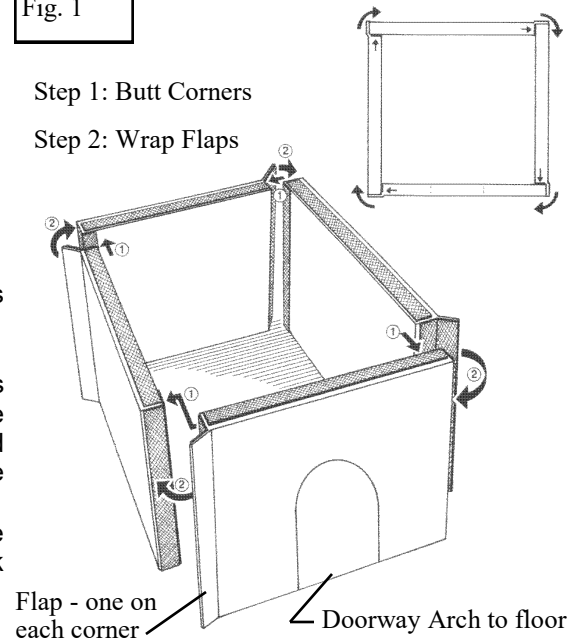
Note: Each wall section has hook and loop fastener on three edges and vinyl on one edge. The edge with the vinyl is the bottom edge.

- Position the four sides as shown in Fig. 1. Make sure that the flaps are to the outside on each corner.
- If you have purchased the Playhouse Steps, determine where you want the steps to be and put the wall with the loop fastener on the side where you want the steps to be.
- Butt the loop edge of one side against the hook on the inside of the joining wall. Wrap the flap around the corner connecting the hook and loop fastener. Be sure that the flap completely covers the loop strip. Repeat this on all four corners.

Fig. 1

Step 1: Butt Corners

Step 2: Wrap Flaps



#### TOP

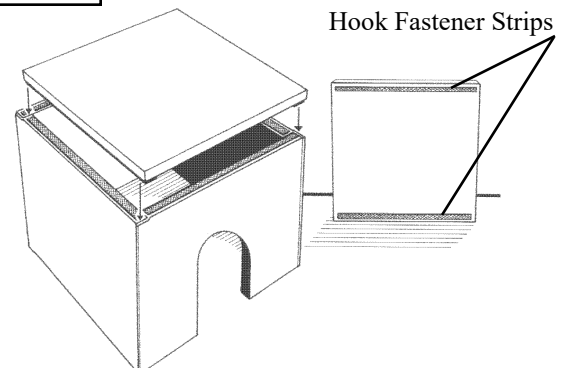
Note: Putting the top on your Playhouse requires two people.

- Position the top over the Playhouse with the hook fastener strips on the underneath side.
- Lower the top onto the walls of the Playhouse, aligning the edges of the top even with the outside edges of the walls.

Fig. 2

#### DOOR

- The removable door in the front of the Playhouse is secured with hook and loop fastener between the edges of the door and the wall.
- To remove the door, insert your hand between the wall and the door at the bottom. Work the hook and loop fastener loose while pulling out on the door until it is free.
- This is somewhat difficult but the door needs to be held securely when the Playhouse is inverted and used as a ball pool.



## TO USE AS A BALL POOL

OSCAR'S Playhouse may be inverted and used as a ball pool with or without the door by having two people (one on each side) holding the top to the walls and turning the Playhouse onto its side, then onto its top.

**MATTING PRECAUTIONS:** Always use appropriate matting.

## MAINTENANCE CHECKLIST

All of the following wear points should be checked on a monthly basis and recorded on the checklist enclosed.

- Check for torn vinyl and loose or ripped stitches. If tears or loose stitches are found, discontinue use until repaired.

## STORAGE PROCEDURES

- Store where not accessible by clients without proper supervision.

## CLEANING INSTRUCTIONS

- Check for client allergies first.
- Check with your infectious disease department before using these procedures.
- Clean with a damp cloth using mild soap and water or disinfectant.
- Dry before using.

**Safety Precautions** - The safety of your clients is dependent on the appropriate choice of activity to match, yet challenge their physical abilities. Use appropriate spotting / safety techniques. In addition, the layout of your activity area, proper installation and maintenance of your equipment is critical. Southpaw equipment is not intended for recreational or outdoor use. Under no condition should this equipment be used without proper supervision.

**This sheet is for example only.** It is not meant to, in any way, replace local, county, state, or Federal standards. Be aware - it is your responsibility to find all pertinent safety information that pertains to your facility.

If you have any questions or comments, please call or write  
Southpaw Enterprises, Inc.

P.O. Box 1047, Dayton, Ohio 45401-1047

Toll Free - (800) 228-1698

Please visit us at [southpaw.com](http://southpaw.com)

© 2024 Southpaw Enterprises, Inc.