



## Instruction Sheet

### Vibro-Acoustic Crash Pit - 303109

Store these instructions along with the enclosed maintenance checklist in a safe place. You may also access them on our website.



Take time to familiarize yourself with the use and maintenance of this equipment before using. Please file this Instruction Sheet in an accessible location: the Instruction Sheet must be read and familiar to anyone who is using Southpaw Enterprises Equipment.

**IMPORTANT: Please check equipment immediately for any damage that may have resulted during shipping. If any damage has occurred, please contact Southpaw Enterprises, Inc. immediately.**

#### MATERIALS LIST:

4 - Crash Pit Walls	1 - Wooden Vibro Floor
1-24' Speaker Wire	1 - Padded Floor Mat
1000 - Multi-colored Balls	1 - Instruction Sheet
1 - Maintenance Checklist	

#### ASSEMBLY:

Note: All four walls are the same. There is a separate wooden floor with a padded floor mat for the crash pit which is designed to help contain the balls and provide the vibration. Set this floor and mat aside until the walls are connected.

- Position the four walls as shown in figure 1 with the black edge on the floor.
- Join all four corners by aligning the edges, pressing the hook and loop fasteners together, and pulling the long side-flap tight against the end of the adjoining wall, as shown in figure 2.
- Attach the flap with the loop fastener on the top of each wall to the side of each adjoining wall by wrapping them over the top and down the side (see figure 3).
- Place wooden Vibro Floor where crash pit will be located, making certain that the red/black speaker posts on the side are near the stereo that will be used to power the speakers in the unit.
- Position the walls on top of the wooden Vibro Floor lining up the walls with velcro on base. Make sure the pit is square. Insert the padded floor mat in crash pit.
- Fill with balls, or with a Southpaw Cloud Nine pillow.

In order to make the floor vibrate it must be connected to a Southpaw Radio Rover (#303100), Mini Rover (303600), Wall Stereo (303900). The speaker wire comes with RCA jacks at each end. Locate the speaker connection on the side of the crash pit and plug one end of the wire into the RCA socket. Connect the other end of the wire to the RCA socket on a Radio Rover. Use with any other stereo equipment will void the warranty.

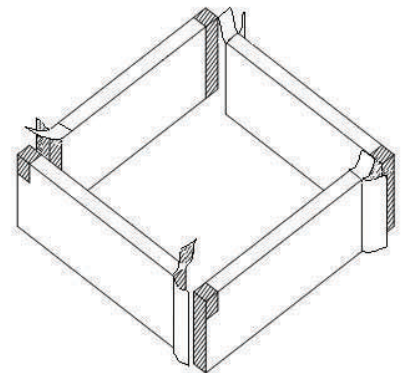


Figure 1

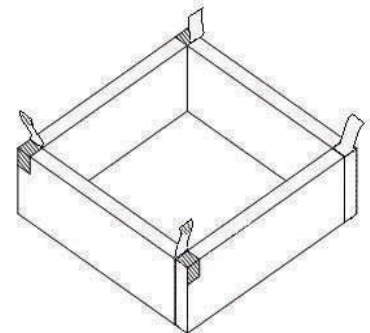


Figure 2

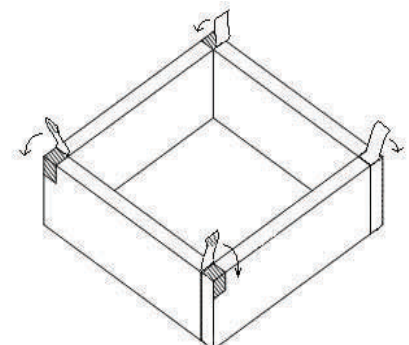


Figure 3

### MAINTENANCE CHECKLIST:

All of the following wear points should be checked on a monthly basis and recorded on the checklist enclosed.

- Check for torn vinyl and loose or ripped stitches. If tears or loose stitches are found, discontinue use until repaired.
- Check for loose or frayed speaker wires. If frayed wires are found, discontinue use until repaired or replaced.

### CLEANING INSTRUCTIONS

- Check for client allergies first.
- Check with your infectious disease department before using these procedures.
- Clean with a damp cloth using mild soap and water or disinfectant.
- Dry before using.

### STORAGE PROCEDURES

- Store where not accessible by clients without proper supervision.

**Safety Precautions** - The safety of your clients is dependent on the appropriate choice of activity to match, yet challenge their physical abilities. Use appropriate spotting / safety techniques. In addition, the layout of your activity area, proper installation and maintenance of your equipment is critical. Southpaw equipment is not intended for recreational or outdoor use. Under no condition should this equipment be used without proper supervision.

**This sheet is for example only.** It is not meant to, in any way, replace local, county, state, or Federal standards. Be aware - it is your responsibility to find all pertinent safety information that pertains to your facility.



If you have any questions or comments, please call or write  
Southpaw Enterprises, Inc.  
P.O. Box 1047, Dayton, Ohio 45401 -1047  
Toll Free - (800) 228-1698  
<http://www.southpawenterprises.com>