



southpaw enterprises, inc.

Instruction Sheet

Custom Support System 7000

Store these instructions with the enclosed maintenance checklist in a safe place. You may also access them on our website.



Take time to familiarize yourself with the use and maintenance of this equipment before using. Please file this Instruction Sheet in an accessible location: the Instruction Sheet must be read and familiar to anyone who is using Southpaw Enterprises Equipment.

IMPORTANT: Please check equipment immediately for any damage that may have resulted during shipping. If any damage has occurred, please contact Southpaw Enterprises, Inc. immediately.

Warning: Failure to properly install a forged steel eyebolt (1/2" or 5/8") may result in serious injury or death. If you have any questions about the installation of the forged steel eyebolt, please contact Southpaw Enterprises Customer Service at 1-800-228-1698.

MATERIALS LIST

- | | |
|-------------------------------|---------------------------|
| 2 - Padded Bases | 16 - Positive Lock Nuts |
| 2 - Padded Uprights | 24 - Washers |
| 1 - Cross Beam with Eye Bolts | 1 - Instruction Sheet |
| 16 - 4-1/2" Bolts | 1 - Maintenance Checklist |

TOOLS NEEDED FOR ASSEMBLY

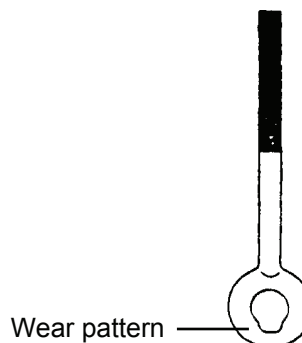
- 2 - Wrenches (3/4" or adjustable)
- Step Ladder

CLEANING INSTRUCTIONS

- Wipe with a damp cloth.

HEIGHT ADJUSTER OR SAFETY ROTATIONAL NEEDED

A Southpaw Safety Rotational Device (#2000) should be used with all equipment to prevent damage to equipment. A Southpaw Height Adjuster # 5000) will make adjusting the height of your equipment easier.



Wear pattern

Fig. 1

WORKING LOAD: 1500 lbs.

MAINTENANCE CHECKLIST

All of the following wear points should be checked on a monthly basis and recorded on the checklist enclosed.

- Check eye bolts for loose nuts or movement. Tighten if necessary.
- Check for loose nuts on all bolts. Tighten if necessary.
- Check eye bolt for wear at the point where it rubs against the safety snap. If wear exists, it should not exceed 30% of the diameter of the eye bolt. If it does, discontinue use immediately and replace the eye bolt. (See fig. 1).
- A small amount of grease at the point where the eye bolt and safety snap connect will greatly extend the life of the eye bolt and safety snap.

CAUTION

- ◆ Check ceiling eye bolt for wear and movement. Use a Southpaw Safety Rotational Device to prevent abnormal wear.
- ◆ Floor mats of proper thickness should be positioned properly under and around all suspended equipment.

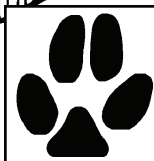
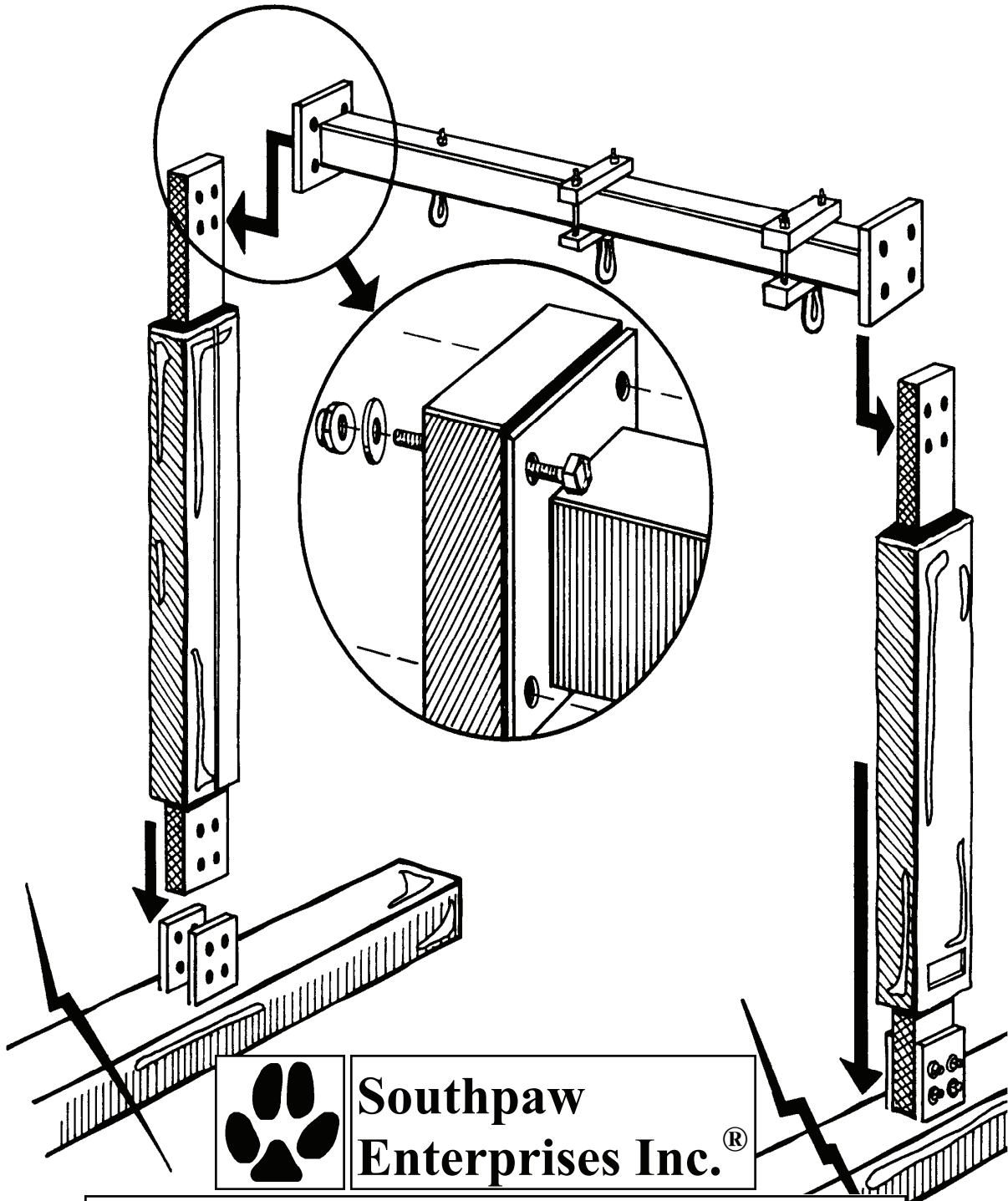
Safety Precautions - The safety of your clients is dependent on the appropriate choice of activity to match, yet challenge their physical abilities. Use appropriate spotting / safety techniques. In addition, the layout of your activity area, proper installation and maintenance of your equipment is critical. Southpaw equipment is not intended for recreational or outdoor use. Under no condition should this equipment be used without proper supervision.

This sheet is for example only. It is not meant to, in any way, replace local, county, state, or Federal standards. Be aware - it is your responsibility to find all pertinent safety information that pertains to your facility.

ASSEMBLY INSTRUCTIONS

You will need 2 or 3 strong people to assemble your Custom Support System.

- Put one upright on base, lining up bolt holes. Put a washer on a bolt and put it through a set of lined up holes, and put a washer on the other end of the bolt. Put a nut on the bolt and tighten finger tight.
- Repeat this step with the other three holes, then using the adjustable or 3/4" wrench tighten all 4 bolts securely.
- Have one person tip this upright over just far enough that the other person can lift the cross beam up and line up the bolt holes. Put a bolt through the lined up holes, through the beam first and then through the upright. Put a washer on the end of the bolt and tighten finger tight. Repeat with the other 3 holes in this section. **Do not tighten at this time.**
- Assemble the other base and upright.
- Lift the cross bar up on a ladder and line up the holes in the cross bar with the holes in the upright. Put the bolts in the holes the same as the other end.
- Tighten all bolts securely and slide the covers down to cover the bolts at the bottom of the upright.



**Southpaw
Enterprises Inc.®**

If you have any questions or comments, please call or write Southpaw Enterprises, Inc.

P.O. Box 1047, Dayton, Ohio 45401 -1047

Toll Free - (800) 228-1698

Come see us on the World Wide Web at <http://southpawenterprises.com>



Store these instructions in a safe place or with the enclosed maintenance checklist

Instruction Sheet

Custom Support Splice Package 7000-S



Take time to familiarize yourself with the use and maintenance of this equipment before using. Please file this Instruction Sheet in an accessible location: the Instruction Sheet must be read and familiar to anyone who is using Southpaw Enterprises Equipment.

IMPORTANT: Please check equipment immediately for any damage that may have resulted during shipping. If any damage has occurred, please contact Southpaw Enterprises, Inc. immediately.

MATERIALS LIST

- 1 - Cross Beam Fabricated To Customer's Specifications
- 4 - 1/2-13 X 2-1/2" Hex Head Bolts
- 4 - 1/2-13 Positive Lock Nuts
- 8 - 1/2" Washers
- 1 - Instruction Sheet
- 1 - Maintenance Checklist

TOOLS NEEDED FOR ASSEMBLY: Two 3/4" wrenches.

Equipment must be 6 ft. from all walls and other obstacles.

ASSEMBLY INSTRUCTIONS

- Lay the two cross beams on the floor end to end. Put a washer on each bolt. Put the bolts through the holes in both of the flanges on the end of the cross beams. Put a washer and nut on each of the bolts. Tighten all four nuts securely. Install the spliced cross beam according to the instructions for the Custom Support Structure.

MAINTENANCE CHECKLIST

All of the following wear points should be checked on a monthly basis and recorded on the checklist enclosed.

- Check that all nuts holding the eye bolts are tight. If loose nuts are found, discontinue use until tightened.
- Check all nuts and bolts are tight. If loose nuts or bolts are found, discontinue use until tightened.
- Check eye bolt for wear at the point where it rubs against the safety snap. If wear exists, it should not exceed 30% of the diameter of the eye bolt. If it does, discontinue use immediately and replace the eye bolt. (See fig. 1).
- A small amount of grease at the point where the eye bolt and safety snap connect will greatly extend the life of the eye bolt and safety snap.

MATTING PRECAUTIONS: Always use appropriate matting.

STORAGE PROCEDURES

- Store where not accessible without proper supervision.

CLEANING INSTRUCTIONS

Check with your infectious disease department before using these procedures.

- Check for client allergies first.
- Clean with a damp cloth using soap and water or disinfectant.
- Dry before using.

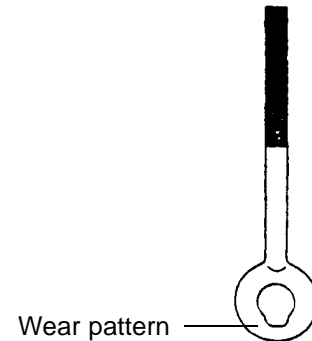


Fig. 1

Safety Precautions - The safety of your clients is dependent on the appropriate choice of activity to match, yet challenge their physical abilities. Use appropriate spotting / safety techniques. In addition, the layout of your activity area, proper installation and maintenance of your equipment is critical. Southpaw equipment is not intended for recreational or outdoor use. Under no condition should this equipment be used without proper supervision.

This sheet is for example only. It is not meant to, in any way, replace local, county, state, or Federal standards. Be aware - it is your responsibility to find all pertinent safety information that pertains to your facility.



If you have any questions or comments, please call or write
Southpaw Enterprises, Inc.
P.O. Box 1047, Dayton, Ohio 45401 -1047
Toll Free - (800) 228-1698
Come see us on the World Wide Web <http://southpawenterprises.com>

FORM CODE: XI-7000-S REV 09 / 98

© 1998 Southpaw Enterprises, Inc.